

SG92R



SG92R

TowerPro 9g digital servo New version of SG90.

POM with Carbon fiber gears set and control arms are more durable use than SG90 nylon gear and more torque.

It is a good choice for park size 3D models , high speed jets and R/C airplane 250 450 RC helicopter

Specifications:

Weight: 9g

Dimension: 23×12.2x27mm

Stall torque: 2.5kg /cm(4.8v)

Gear type: POM with carbon fiber

Operating speed: 0.1sec /60degree (4.8v)

Operating voltage: 4.8v

Temperature range: 0°C_ 55°C

Dead band width:1us

servo wire length: 25 cm

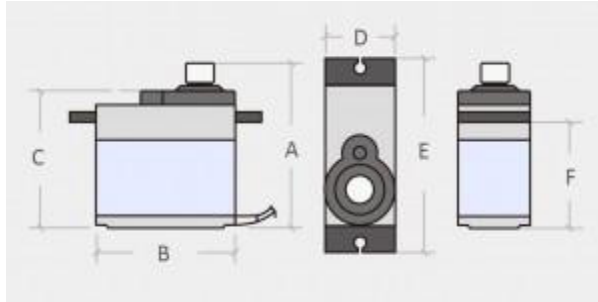
Servo Plug: JR (Fits JR and Futaba)

servo arms &screws included and fit with Futaba servo arm

It's universal "S" type connector that fits most receivers, including Futaba, JR, Hitec ,GWS, Cirrus, Blue Bird, Blue Arrow, Corona, Berg,

Spektrum.
CE &RoHS approved

Product Description



PRODUCT CONFIGURE TABLE

Weight(g)	12
Torque(kg)(4.8v)	2.5
Speed(sec/60deg)	0.1
A(mm)	34.5
B(mm)	22.8
C(mm)	26.7
D(mm)	12.6
E(mm)	32.5
F(mm)	16